

HOW TO USE THE BLIND STITCH FOOT

1) First, remove the left needle. Next, remove the foot on the sewing machine and attach the blind stitch foot.

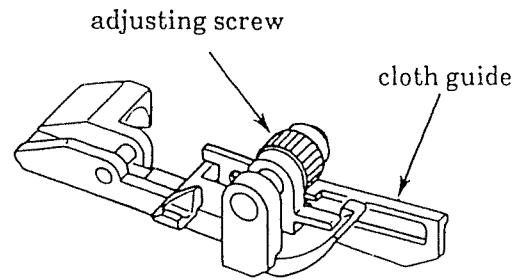
2) Adjust the feed dial to 4~5.

(Adjust according to the kind of cloth.)

3) Fold the cloth as in Fig. 1 and iron lightly.

4) Set the position of the cloth guide, turning the adjusting screw until the needle just pierces the fold of the cloth (Fig. 1, Fig. 2).

5) Make the fold go along the cloth guide without letting the needle miss it (Fig. 3).



BLIND STITCH FOOT

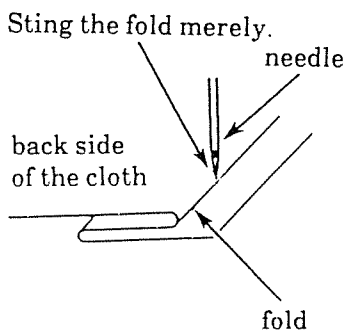


Fig. 1

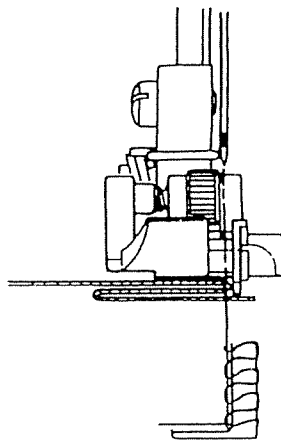


Fig. 2

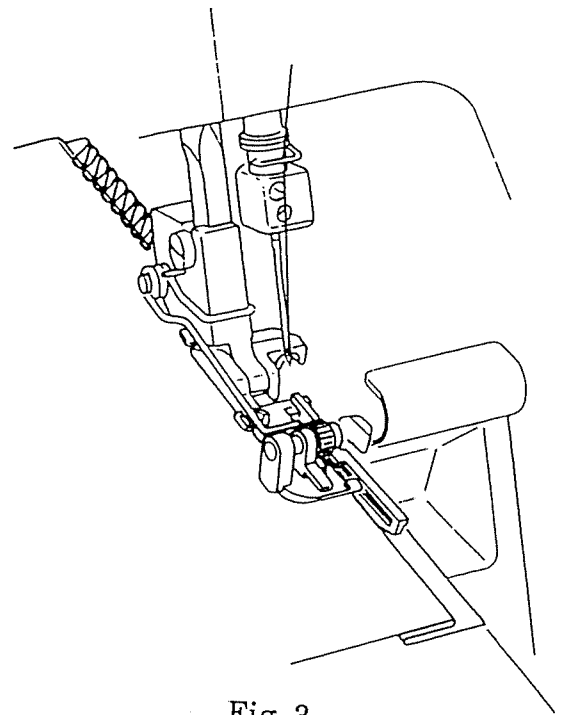


Fig. 3

6) Open the cloth and iron the back side.

