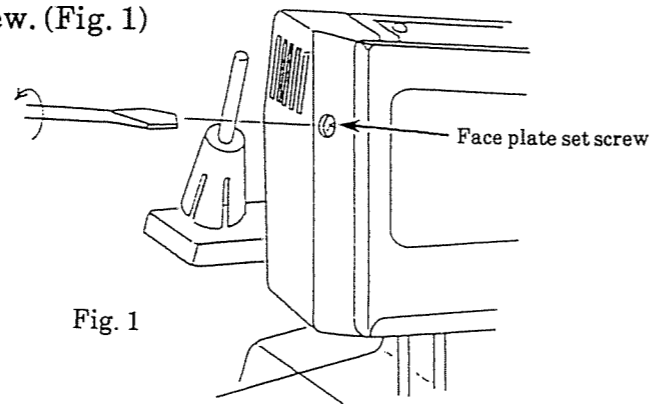


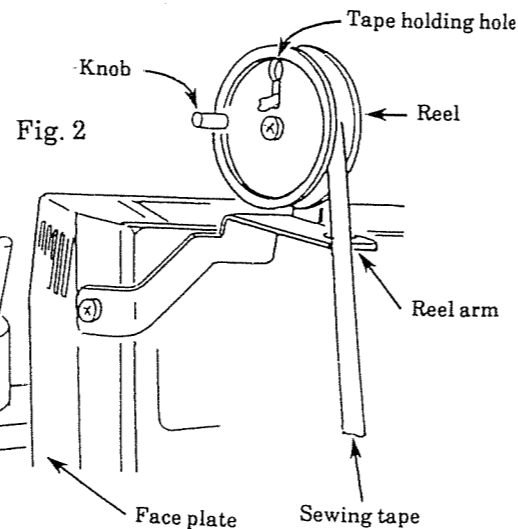
HOW TO USE THE TAPING ATTACHMENT (Type A) (for 2-needle 4-thread serger)

- Wind some tape onto the reel. Use it to protect elastic cloth like knits from stretching when you sew a shoulder or armpit line. (You can find sewing tape in most any sewing store.)
- Sewing machine models suited for use : JANOME or NEW HOME sergers having face plates screwed on from the left side. (Examples : MY LOCK 100, 200 series, EZY LOCK 304, 304D)
- The ideal width of the tape is 4~8mm.

1) Remove the face plate set screw. (Fig. 1)



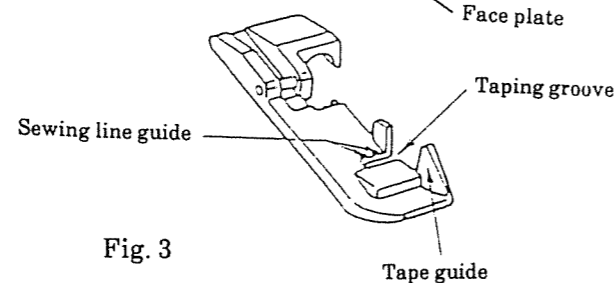
2) Secure the tape reel on the face plate with the exclusive set screw. (Fig. 2)



3) Insert some tape into the tape holding hole from inside of the reel. Wind the tape (turn the knob while holding the end of the tape). (Fig. 2)

4) Remove the foot from the sewing machine. Attach the taping foot and raise it. (Fig. 3,4)

5) Lower the upper knife.



6) Insert the tape into the guiding hole on the reel arm. Then insert it into the groove on the taping foot from the right side, and pull a little tape behind the foot. (Fig. 3,4)

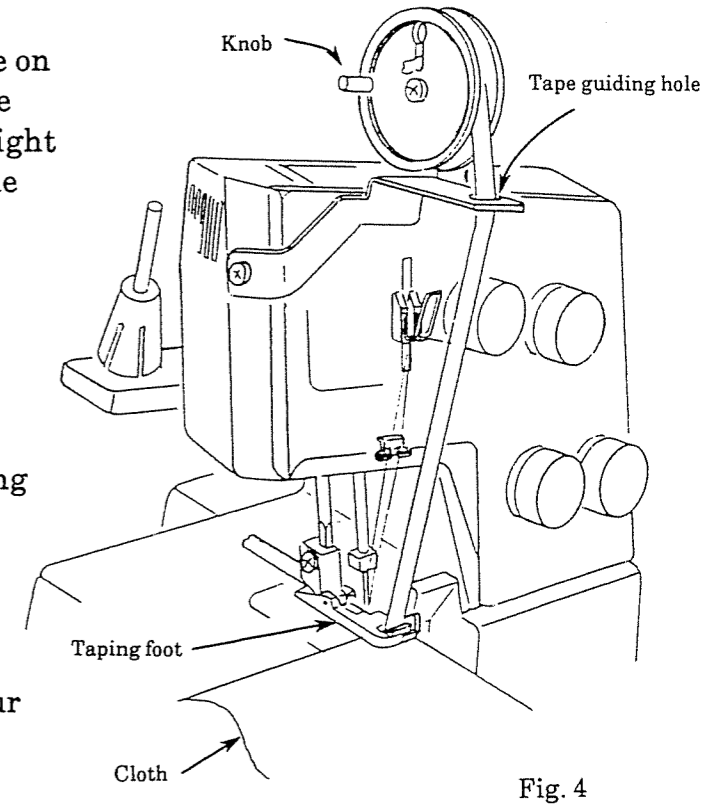
7) Raise the upper knife back.

8) Place the cloth under the foot, and lower the foot. (Fig. 4)

9) Remove the slack of the tape, turning the knob of the reel lightly.

10) Start sewing slowly.

※ If the material of the tape is too soft to be stable, guide the tape with your finger lightly, as shown. (Fig. 5)



Taping attachment items

Tape reel (Type A).....	1
Taping foot.....	1
Set screw.....	1

* You can also use the tape reel with the optional cording foot.

