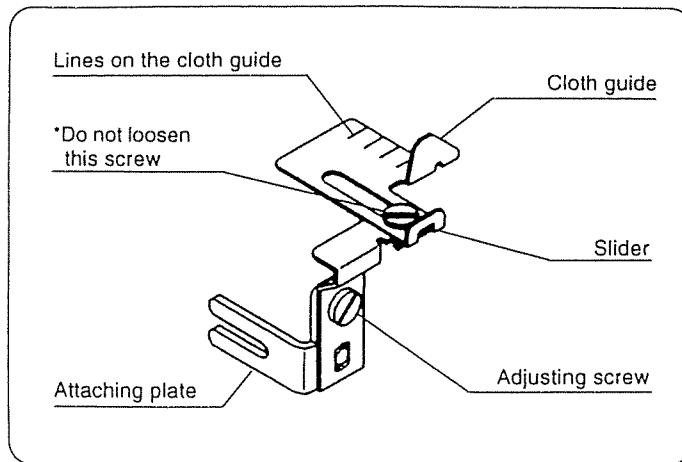
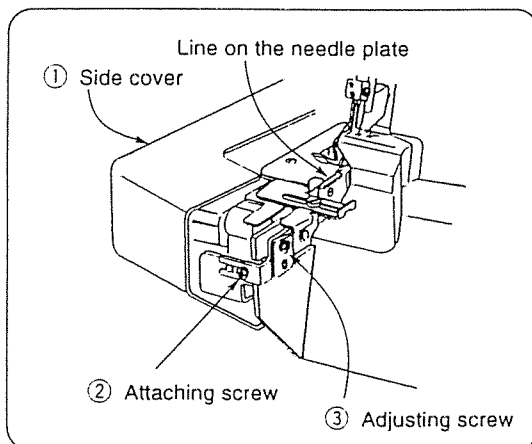


## CLOTH GUIDE (200229106)



### 1 To attach the cloth guide:



- ① Open the side cover.
- ② Loosen the attaching screw. Slide the attaching plate onto the attaching screw from right to left as far as possible. Tighten the attaching screw.
- ③ Loosen the adjusting screw and position the cloth guide even with the surface of the needle plate. Tighten the adjusting screw.
- ④ Close the side cover.

### 2 Uses: The cloth guide is useful in a variety of sewing situations. It is especially useful if you match the lines on the cloth guide with the line on the needle plate.

- ① Without the upper knife (To deactivate the upper knife, see instruction manual.)
  - Helps to sew constant-width seams without the knife.
  - Helps when flat-lock serging with the decorative thread and when pintucking.
- ② With the upper knife
  - Provides extra guidance for constant-width seams on large pieces of fabric.
  - The scale on the cloth guide acts as an extension of the lines on the needle plate.

Note: To open the looper cover when cloth guide is attached to the machine, move the slider all the way left.