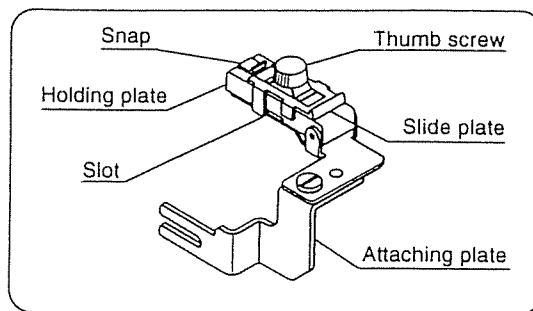


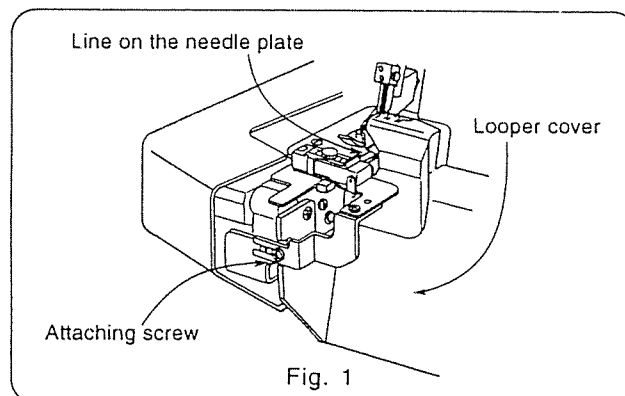
ELASTIC ATTACHMENT (200231101)



1. To install the elastic attachment. (Fig. 1)

- ① Open the side cover.
- ② Loosen the attaching screw and slide the attaching plate onto the screw matching the line on the supporting plate to the line on the needle plate. In this condition the elastic tape cannot be accidentally cut by the upper knife.
- ③ Tighten the attaching screw.
- ④ Close the side cover.

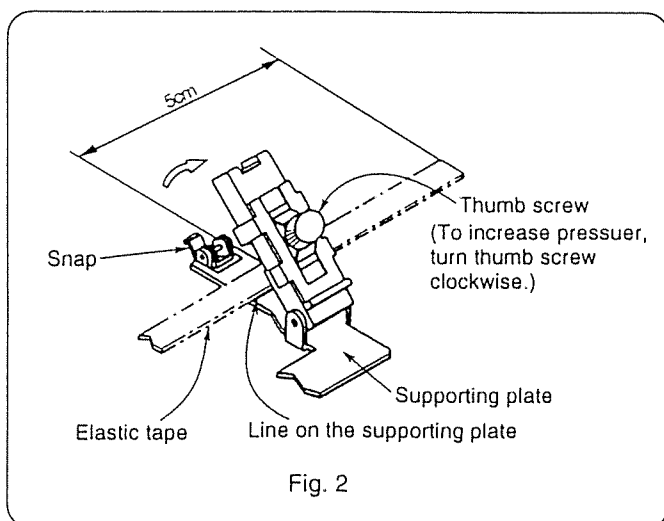
Note: When the elastic attachment is installed, the looper cover cannot be opened. To open the looper cover remove the attachment.



2. Machine setting : Set the thread tension as you would for ordinary serging (2-needle, 4-thread serger).

- | | | | |
|------------------------------|----------|--|---------------|
| ① Thread tensions: | Around 3 | ⑦ Lower looper pre-tension setting slider: | * STD. |
| ② Stitch length dial: | 4 to 5 | ⑧ Changeable thread guide: | * 3/4 threads |
| ③ Differential feed dial: | 1 | | |
| ④ Presser foot: | STD. | | |
| ⑤ Upper knife: | Use | | |
| ⑥ Needle plate setting knob: | STD. | | |
- * Applies only to machines with this function.

3. The width of elastic tape: You can use with this attachment is from 3.5 to 8 mm.



- ① Push the snap to the left and raise the holding plate.
- ② Put the elastic tape in the slot on the holding plate. (Match the right edge of the tape to one of the reference line on the supporting plate.) Pull about 5 cm of tape under the presser foot.
- ③ Lower the holding plate and secure the end with the snap. Slide the slide plate to the right to adjust to the width of the elastic tape.
- ④ If you turn the thumb screw clockwise, the elasticity of the tape will become greater. If you turn the thumb screw counterclockwise, the elasticity of the tape will be reduced.
- ⑤ Now you can adjust the lateral position of the elastic tape by loosening the attaching screw on the attaching plate and sliding the entire device left to right.

4. Sewing : Put the fabric under the elastic tape, then put them under the presser foot, and sew them together.

For best results, try sewing with different amounts of tension on the thumb screw before sewing your actual garment.