



New Tape Binder and Binder Foot with Guide and Tape Stand - For CoverPro

This binder set can be used to create a beautiful binder finish like on ready-made T-shirts. It is the most popular set among optional attachments for cover stitch sewing machines. There are 2 binder sizes: finished width 8 mm (for 32 mm tape) and 12 mm (for 42 mm tape). These are sold separately.

The new Tape Stand can be used together with the binder set. Keep your work area neat and efficient by using both!

- Finished width 8mm for 32mm tape (use right needle): 202-327-008
- Finished width 12mm for 42mm tape (use right or center needles): 202-328-009
- Binder Foot with Guide (foot only): 796-402-004*
- Tape Stand: 202323004



***Note:** If you already had previous "Tape binder set", we recommend you to purchase "Binder Foot with Guide (foot only)" and "Tape Stand".

ONLY COMPATIBLE WITH THE 1000CPX AND 2000CPX

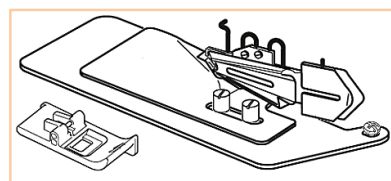
A Transparent Binder Foot with Guide

The previous metal binder foot has been updated. The shape has been improved and guides have been added for ease of use.

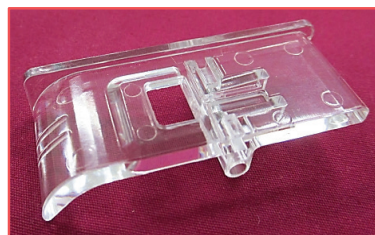
Main improvements

- The clear foot means improved visibility.
- Because a guide is included on the right side, tape is held stably without escaping to the right.
- The foot is long at the front and short at the back (compared with the existing foot).

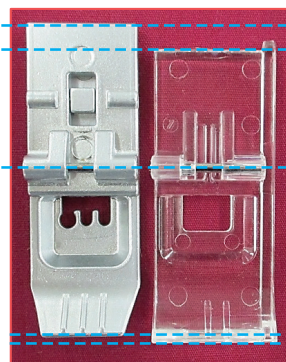
- ① **Long front** - Feeds the fabric effectively. The distance between the binder and the foot is short so the tape doesn't sag.
- ② **Short back** - Prevent skipped stitches and achieve steady stitching on uneven parts such as seams.



Back side



Previous New



- ② Position of attachment to machine
- ①



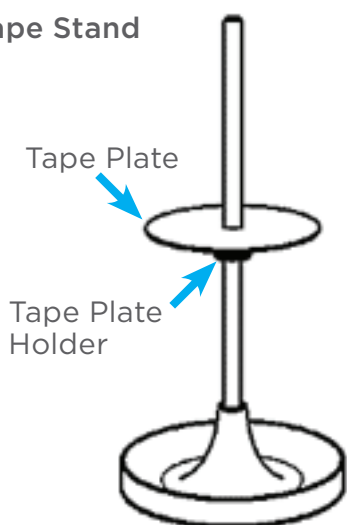
New Tape Binder and Binder Foot with Guide and Tape Stand...continued.

Tape Stand

The Tape Stand holds your roll of tape at a set height. Since the tape is supplied at the same height to the tape guide of the binder set (③ in photo below), it feeds smoothly even with very soft fabric allowing beautiful finishes to be achieved.

Using the Tape Stand together with the binder set is recommended for best results.

Tape Stand



The height of the tape plate holder can be adjusted according to your preference.

By aligning the height with the tape guide, you can supply tape without it sagging.



Supply the tape at the same height as the binder

The Role of Winding Rods

Wrap the tape to be used for the binder in advance around a winding rod made of paper, and pass the shaft of the tape stand through the hole in the paper rod.

Tape can be supplied smoothly by the rotation of the winding rod.

For convenience, it is suggested to prepare paper winding rods for your fabric in advance.

