

PIPING FOOT (for 2 needle 4 thread serger)

1. MACHINE SETTING

Foot:	Piping foot
Needle:	2 needles or left needle only
Stitch length:	3
Thread tensions:	Around 3 (Adjust each tension in accordance with the threads and fabric to be used.)

2. CORDED PIPING TAPE (Thickness of filler cord: Approx. 5mm (3/16") in diameter)

If ready-made corded piping tape is not available in stores, make some with your conventional sewing machine.

3. HOW TO ATTACH THE CORDED PIPING TAPE

- ① Raise the needle and piping foot, then place the corded piping tape on the right side of the cloth under the foot and slide them forward until they touch the upper knife.
- ② Lower the foot so that the corded part of the tape fits into the groove on the bottom of the foot.
- ③ Sew the tape onto the cloth while guiding it along the groove as shown in fig.1. The cloth can be sewn either single or double (right sides together) as shown in fig.2.

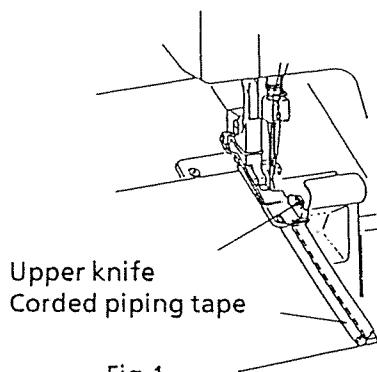
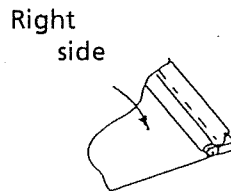
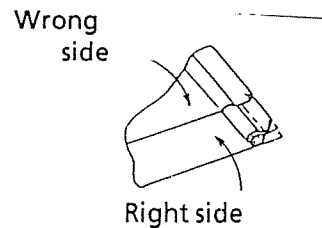


Fig.1



SINGLE



DOUBLE

Fig.2

NOTE: When sewing sharply curving parts, the seams may come off from the edge of the corded part.
In this case, sew slowly while making sure the corded part stays in the groove.

4. HINTS FOR BETTER RESULTS

- ① When you attach piping to heavy weight fabric, baste the tape onto the edge of the corded part before sewing.
For attaching the tape on light weight fabric, use a light craft glue before sewing.
- ② To obtain good results when sewing curving parts, snip several spots on the tape where it curves before sewing. (fig.3)

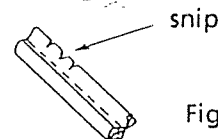


Fig.3